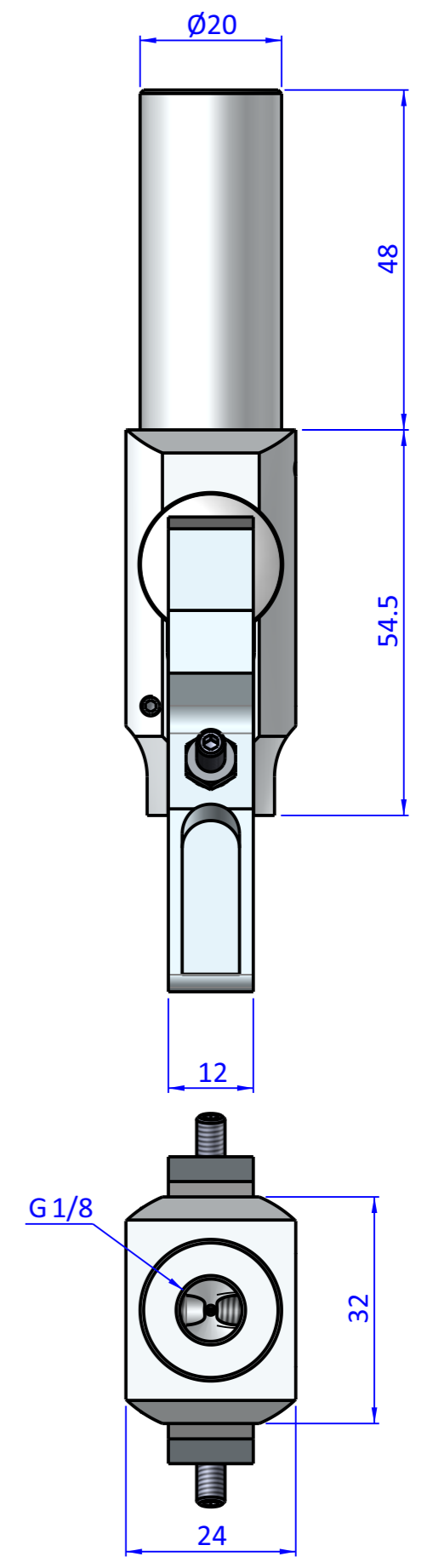
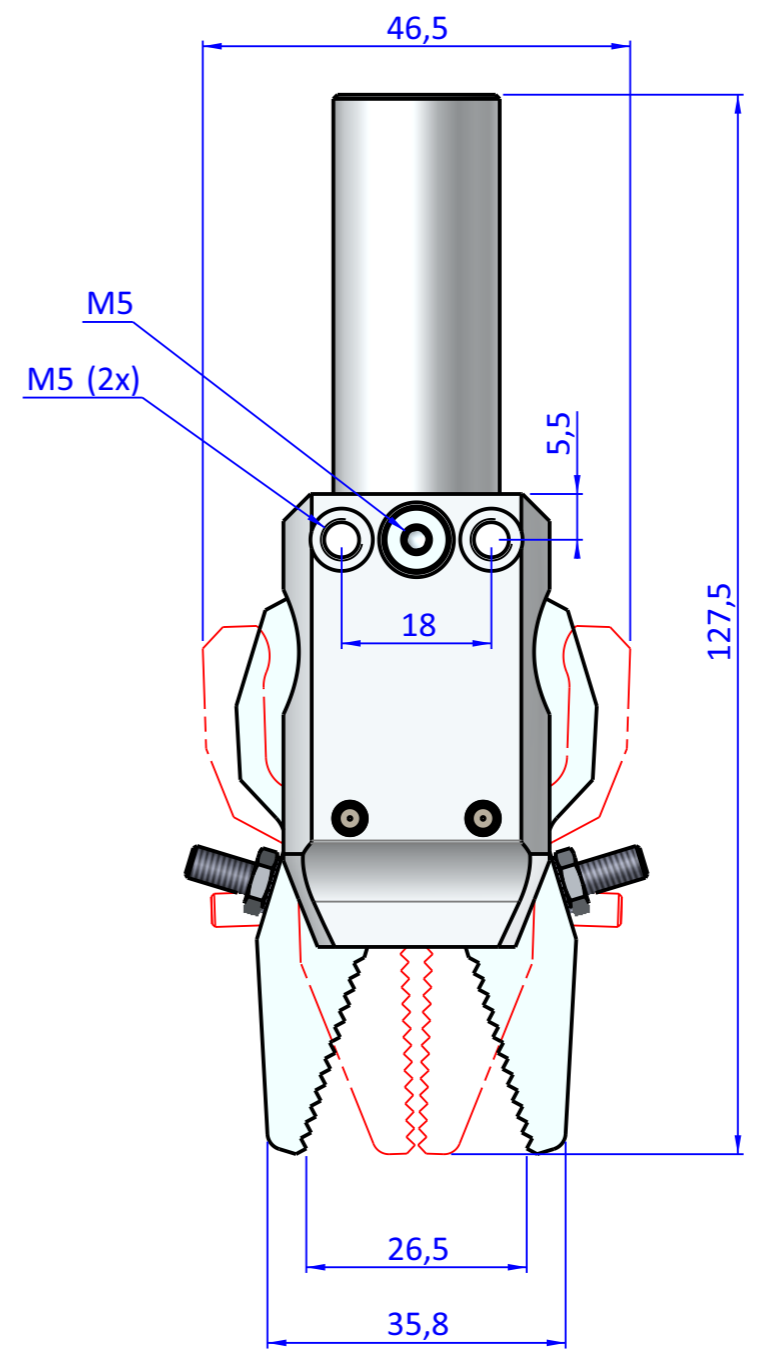
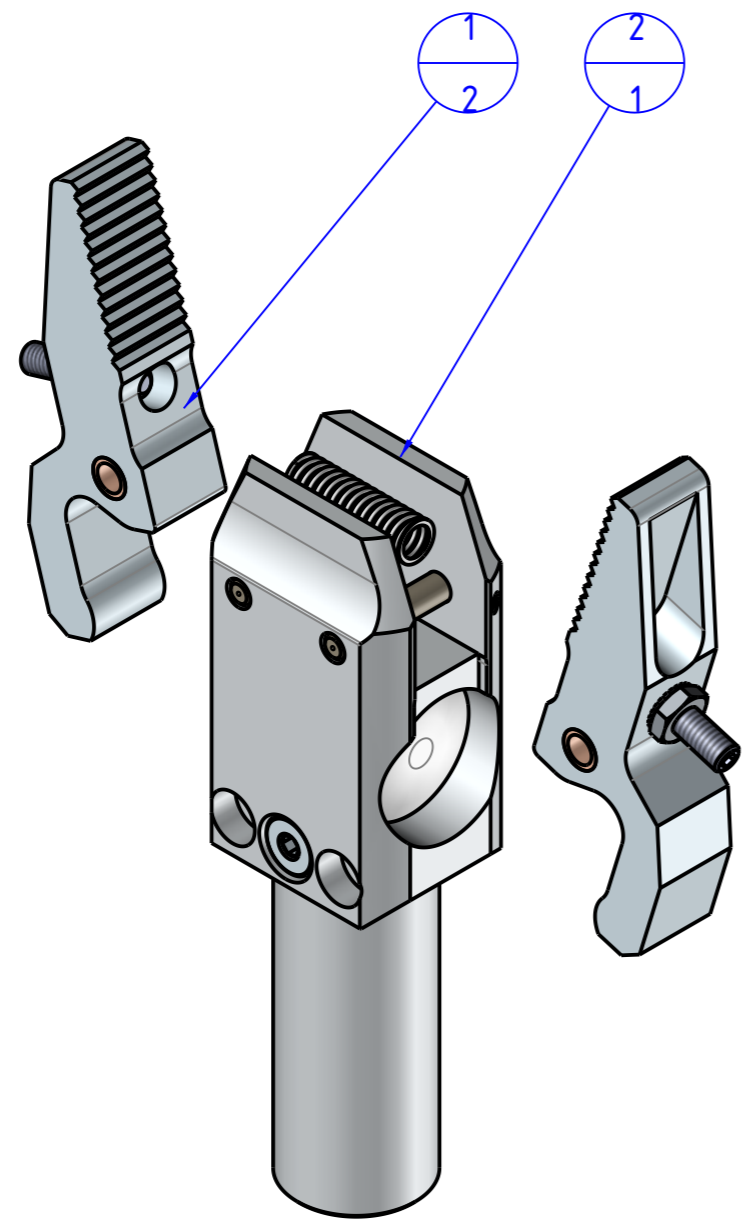

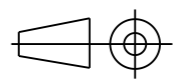


THE PROPERTY OF THE DRAWING IS ESTABLISHED BY LAW. IT IS FORBIDDEN TO PRODUCE OR SHOW IT TO THIRD PART - WITHOUT A WRITTEN AGREEMENT.

| Item | Name         | Q.ty |
|------|--------------|------|
| 1    | GTS.04.12.01 | 2    |
| 2    | GTS.04.G18   | 1    |



Format A3  
UNI 936-76

|  |                                     |   |  |                          |
|--|-------------------------------------|---|--|--------------------------|
| <br><b>FPS</b><br>FPSERVICES AUTOMATION |                                     |  | DESIGNED FROM<br><b>FPS Automation</b> | REVIEW<br><b>A</b>       |
| GENERAL TOLERANCE<br>UNI - ISO 2768<br>CLASSE f  | DESCRIPTION<br><br>CA.GTS.1004.12.1 | DATE<br>21/09/2021  | WEIGHT<br>0,205kg                      | CODE<br>CA.GTS.1004.12.1 |